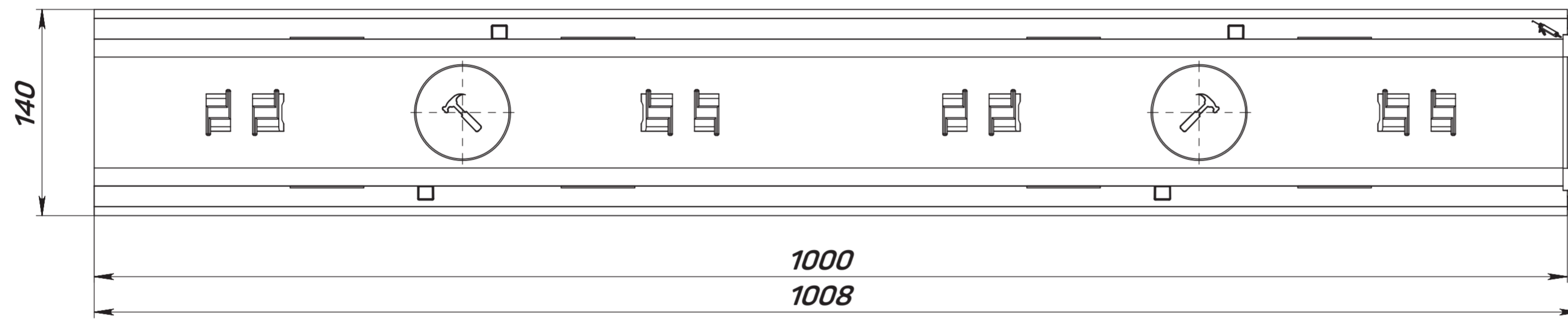
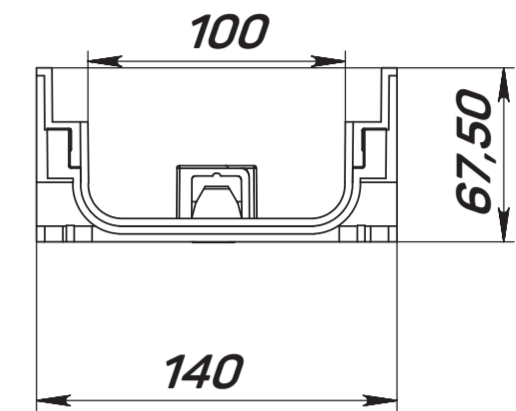
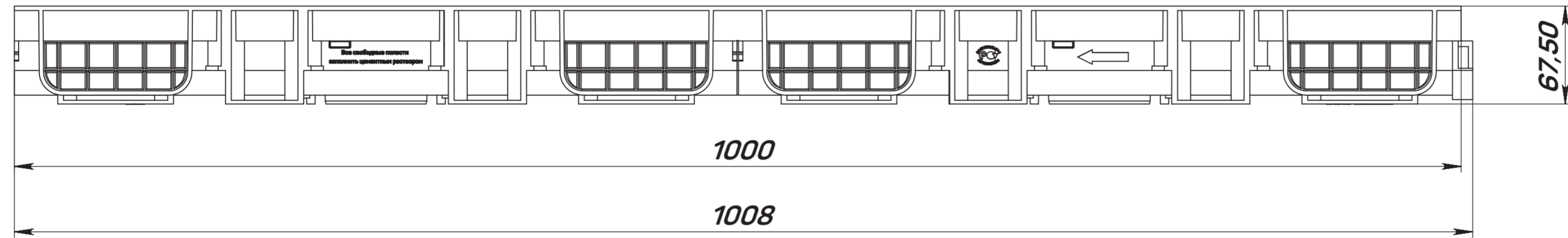


Code: 1101



Code: 1101		
Drainage channel VS LINE DN100.14.07, SB 6,5/21 - plastic	weight	scale
	1,1 kg	1:5
VS LINE		